



nLIGHT's visible single emitter devices have been designed for DPSS market, and provides state-of-the-art power and brightness. nLIGHT's proprietary single-emitter integration technology enables industry-leading efficiency and reliability, thus minimizing system footprint and maximizing reliability.

The small emitting aperture, combined with low beam divergence, make these devices the highest-brightness family of CW visible diode lasers available in the industry.

NIR single emitter devices are available in wavelengths from 790 nm to 830 nm. These commercially recognized formats allow easy integration into your existing products.

nLIGHT's diode laser design is based on the company's proprietary MOCVD-grown laser structure, which results in highly reliable, long lifetime products.

Features

- Patented nXLT™ diode protection for extended life
- Low-current, fault-tolerant architecture
- Industry-leading wall-plug efficiency
- Narrow line spectrum
- High polarization purity

Applications

- Solid State Laser Pumping
- Materials Processing
- Medical therapeutics
- Graphic Arts

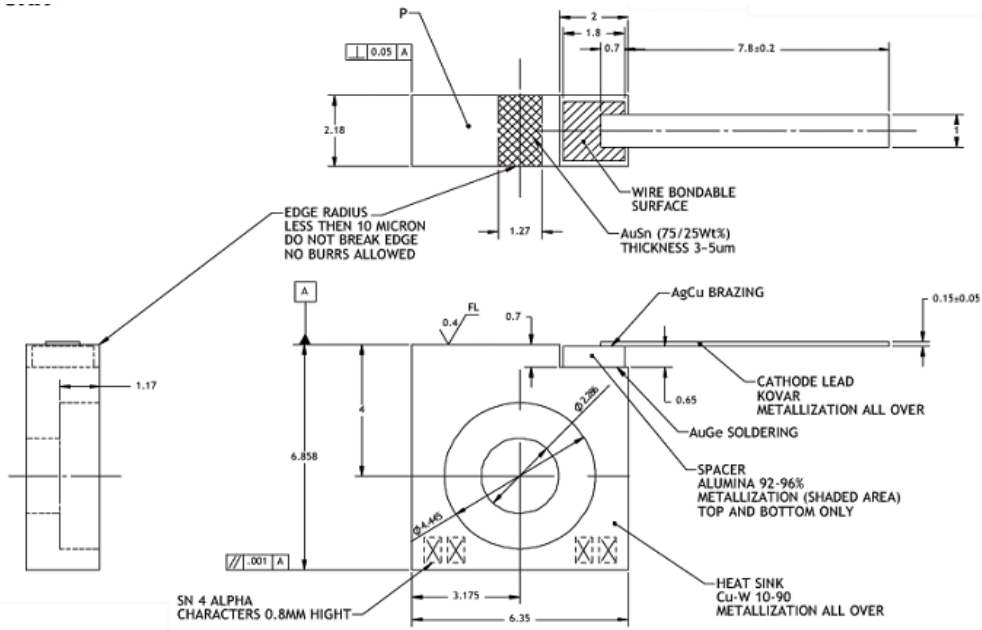
Typical Device Performance

Package		C-Mount		
Optical				
Wavelength	nm	790-830		
Wavelength tolerance	nm	± 3		
CW output power	W	2.5	3	5
Emitter Size	µm	150	100	200
Fast Axis Divergence	degrees	36		
Slow Axis Divergence	degrees	10		
Electrical				
Power conversion efficiency (typical)	%	54	55	54
Operating current (typical)	A	2.5	2.8	4.8
Operating voltage (typical)	V	1.85	1.85	1.9
Mechanical				
Storage temperature range ²	°C	-20 to +80		
Lead Soldering Temperature	°C	250°C (<5 sec)		
Thermal				
Operating temperature ²	°C	-20 to +30		

¹ Numerical aperture (NA) is the sine of the half-angle encircling 90% of the optical energy from the fiber.

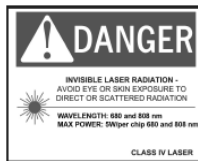
² A non-condensing environment is required for storage and operation.

Package Dimensions



CFR Regulation

These components do not comply with the federal regulation (Title 21 CFR, Chapter 1, Subchapter J) as administered by the Center for Device and radiological Health. Purchaser acknowledges that their products must comply with these regulations before they can be sold to an end-use.



Notice

nLIGHT continually improves its products to provide our customers with outstanding quality and reliability. nLIGHT may make changes to specifications and product descriptions at any time, without notice. In addition, nLIGHT offers a limited warranty to ensure customer satisfaction. For complete details, please contact your nLIGHT sales representative.

Copyright © 2008 nLIGHT. All rights reserved.