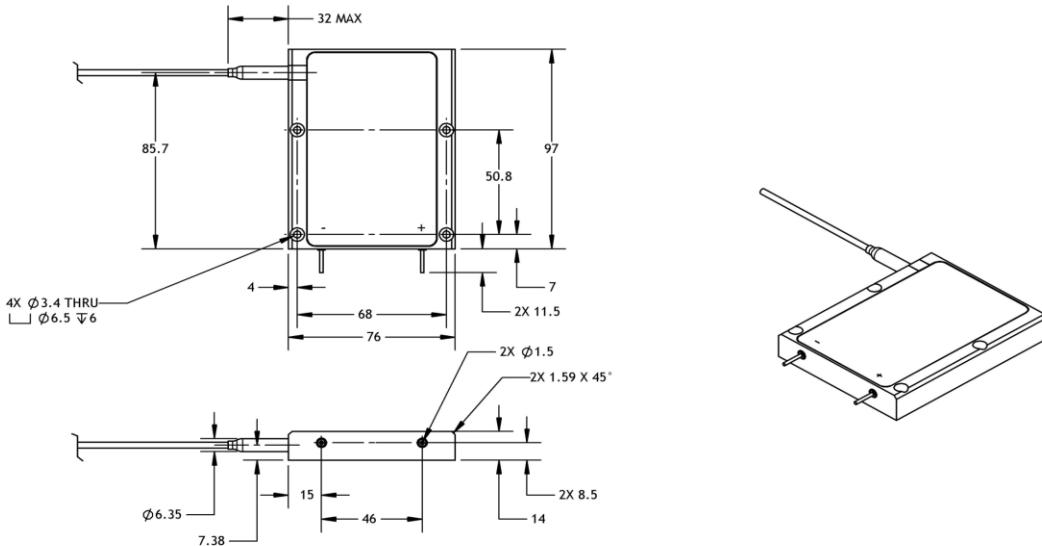


Item Number **1044012**  
 Item Description **e18-18-210-0915-5-200-0.22-SI-FPT-2.5-HT**  
 Model **e18.2100915200**

6A005.d.1.b.1<sup>5</sup>

	Units	Lower Spec	Typical	Upper Spec
<b>Optical</b>				
CW Output Power (with fresnel loss) <sup>6</sup>	W	200		
CW Output Power (without fresnel loss)	W	207		
Centroid Wavelength	nm	910.0	915.0	920.0
Spectral Width (FWHM)	nm		4.9	7.0
Power within 0.18 NA	%	90		
Fiber Core / Clad Diameter	µm		200 / 220	
Fiber NA / Index Type	-		0.22 NA / Step Index	
<b>Electrical</b>				
Electrical-to-Optical Efficiency	%		46	
Threshold Current	A		0.7	
Operating Current	A		16.0	18.0
Operating Voltage	V		32.2	
<b>Mechanical</b>				
Mass	g		450	
Fiber Length	m	2.0	2.5	
Active Fiber Bend Radius	mm	35		
Fiber Jacketing	-		900 um Hytrel Loose Tube Buffer	
Fiber Termination	-		FPT	
<b>Thermal</b>				
Thermal Resistance	°C / W		0.2	
Waste Heat	W		280	
Operating (Housing) Temperature <sup>2,3</sup>	°C	+20	+25	+35
Wavelength Temperature Coefficient	nm / °C		0.32	
Wavelength Current Coefficient	nm / A		1.1	

**Outline Drawing (Package Dimension 97 x 76 x 14 mm)**



**Notes**

- <sup>1</sup> Production specification shown are for beginning of life performance, end of life operating current (Iop) is 120% beginning of life Iop
- <sup>2</sup> A non-condensing environment is required for operation and storage. Storage conditions are from -20 to +70 °C with relative humidity between 5 to 85 %
- <sup>3</sup> Operating temperature defined by the package housing
- <sup>4</sup> Current phase within the nLIGHT's NPI (New Production Introduction) Process
- <sup>5</sup> Export Control Classification Number (ECCN) as defined by the Export Administration Regulations (EAR)
- <sup>6</sup> Reported power is with an uncoated distal fiber end, therefore will be ~ 3.5 % higher if spliced

**IEC Regulation**  
 This laser does NOT comply with IEC 60825-1 or 21 CFR 1040 for complete laser products and is solely intended to be integrated in a certified laser product.



**Notice**  
 nLIGHT continually improves its products to provide customers with outstanding quality and reliability, therefore may change certain specifications and product descriptions at any time, without notice. Additionally, nLIGHT offers a limited warranty to ensure customer satisfaction. For complete details, please contact an nLIGHT sales representative.



nLight Corporation  
 5408 NE 88th Street, Bldg E  
 Vancouver, Washington 98665  
 United States of America  
 Phone: 866.202.4488  
 360.566.4460  
 Fax: 360.546.1960  
 e-mail: sales@nlight.net  
 web: www.nlight.net