



30 – 80W, 900 – 990nm, the Pearl™ P10 is designed for Material Processing. These pump diodes are designed to optimize the demanding industrial requirements of continuous performance with ease of integration.

These fiber-coupled high power pump diodes use a revolutionary fiber technology, PowerCore™, which delivers high-brightness, Gaussian or top-hat pump profiles to maximize overlap with the TEM₀₀ cavity mode for efficient brightness conversion to 1 μm. nLIGHT's high power laser diode provide industry-leading efficiency to enable compactness, reliability and simplified cooling for the next generation of solid-state laser systems. Pearl's embedded nXLT™ single-emitter technology is resetting the benchmark for high-brightness diode based laser reliability.

Features

- 900 – 990, 30 – 80W
- Patented nXLT™ diode protection for extended life
- Low-current, fault-tolerant architecture
- Industry-leading wall-plug efficiency >50%
- Field-replaceable, PowerCore™ mode-stable fiber
- Plug and play compatibility with nLIGHT's DL system
- Electrically isolated housing

Applications

- Rod Pumping
- Disk Pumping
- Slab Pumping

Proven Performance

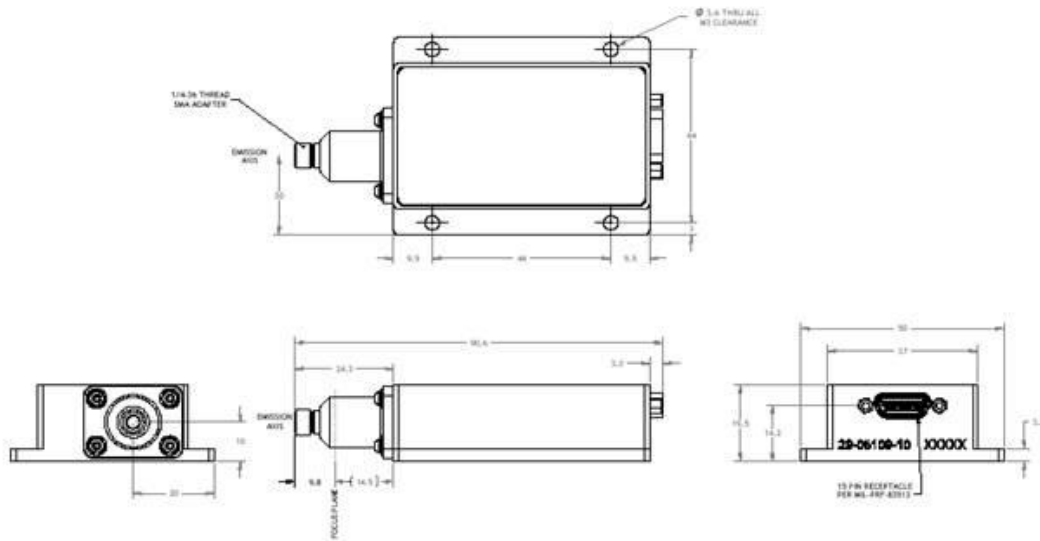
Typical Device Performance

Package		P10			
Optical					
Wavelength	nm	900-990 nm			
Wavelength tolerance	nm	± 10			
CW output power	W	30	50	65	80
Fiber core diameter	µm	200 or 400			
Beam divergence	NA ¹	0.17			
Fiber length (standard)	m	2.0			
Electrical					
Power conversion efficiency (typical)	%	52			
Operating current (typical)	A	9.0			
Operating voltage (typical)	V	6.8	10.2	13.6	17.0
Mechanical					
Storage temperature range ²	°C	-40 to +80			
Mass	gr	220			
Thermal					
Operating temperature ²	°C	+15 to +35			
Accessories					
Line Generator Optic Modules Collimator and Spot Generator Optic Modules Monitor Photo Diode PPS™ OEM Diode Controller Turn-Key System					

¹ Numerical aperture (NA) is the sine of the half-angle encircling 90% of the optical energy from the fiber.

² A non-condensing environment is required for storage and operation.

Package Dimensions



CFR Regulation

These components do not comply with the federal regulation (Title 21 CFR, Chapter 1, Subchapter J) as administered by the Center for Device and radiological Health. Purchaser acknowledges that their products must comply with these regulations before they can be sold to an end-use.

Copyright © 2008 nLIGHT. All rights reserved.



Notice

nLIGHT continually improves its products to provide our customers with outstanding quality and reliability. nLIGHT may make changes to specifications and product descriptions at any time, without notice. In addition, nLIGHT offers a limited warranty to ensure customer satisfaction. For complete details, please contact your nLIGHT sales representative.