



The Pearl™ P10 series is configured for Display and Entertainment Markets, and optimized to meet the demanding requirements of consistent unit-to-unit performance with ease of integration. The red wavelength spectrum can be tailored to reduce speckle.

nLIGHT's proprietary single-emitter integration technology enables industry-leading efficiency and reliability, thus minimizing system footprint and maximizing reliability.

The Pearl™ uses a revolutionary fiber technology, PowerCore™, which eliminates mode sensitivity to fiber motion and optimizes consistency of performance.

Features

- Patented nXLT™ diode protection for extended life
- Low-current, fault-tolerant architecture
- Industry-leading wall-plug efficiency
- Field-replaceable, PowerCore™ mode-stable fiber
- Plug and play compatibility with nLIGHT's DL system
- Electrically isolated housing

Applications

- Cinema Projection
- Large-Format Projection
- Home Theater Projection
- Laser TV
- Discothèque Light Shows
- Outdoor Light Shows

Proven Performance

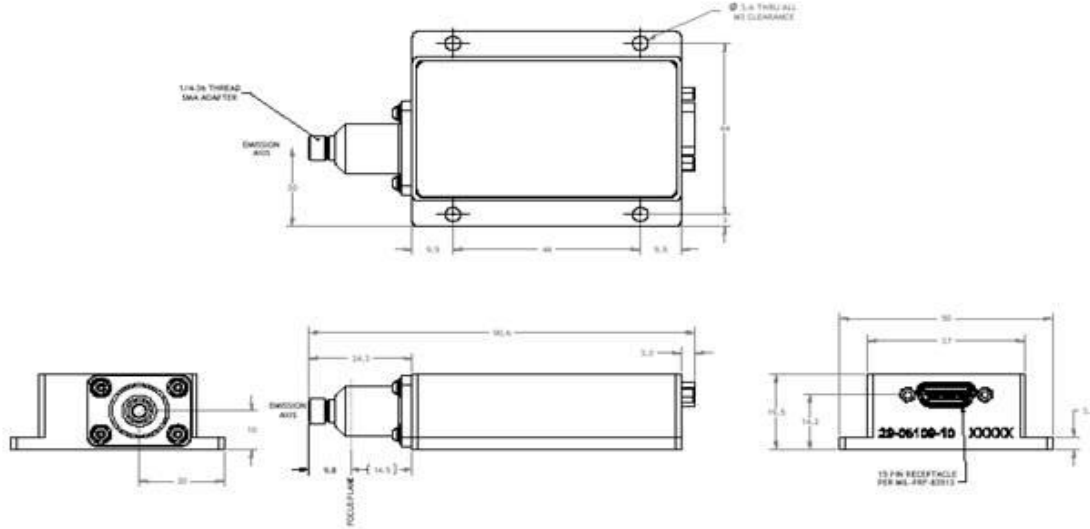
Typical Device Performance

Package		P10		
Optical				
Wavelength	nm	639		
Wavelength tolerance	nm	± 4		
CW output power	W	2	3	4
Fiber core diameter	µm	400 or 600		
Beam divergence	NA ¹	0.17		
Fiber length (standard)	m	2.0		
Electrical				
Power conversion efficiency (typical)	%	18		
Operating current (typical)	A	1.1		
Operating voltage (typical)	V	8.3	16.6	20.8
Mechanical				
Storage temperature range ²	°C	-40 to +80		
Mass	gr	220		
Thermal				
Operating temperature ²	°C	+15 to +25		
Accessories				
Line Generator Optic Modules				
Collimator and Spot Generator Optic Modules				
Monitor Photo Diode				
PPS™ OEM Diode Controller				
Turn-Key System				

¹ Numerical aperture (NA) is the sine of the half-angle encircling 90% of the optical energy from the fiber.

² A non-condensing environment is required for storage and operation.

Package Dimensions



CFR Regulation

These components do not comply with the federal regulation (Title 21 CFR, Chapter 1, Subchapter J) as administered by the Center for Device and radiological Health. Purchaser acknowledges that their products must comply with these regulations before they can be sold to an end-use.



Notice

nLIGHT continually improves its products to provide our customers with outstanding quality and reliability. nLIGHT may make changes to specifications and product descriptions at any time, without notice. In addition, nLIGHT offers a limited warranty to ensure customer satisfaction. For complete details, please contact your nLIGHT sales representative.

Copyright © 2008 nLIGHT. All rights reserved.