



The Pearl™ P16 series is optimized for Medical to meeting the demanding requirements of consistent unit-to-unit performance with ease of integration. Standard features include a pilot beam, monitor photodiode and feedback tolerant design.

Pearl pump lasers use a proprietary fiber coupling technology to eliminate light in the cladding. nLIGHT's proprietary single-emitter integration technology enables high power pumping without the need for fiber combiners, thus maximizing efficiency, cost-effectiveness and useful life.

Features

- Patented nXLT™ diode protection for extended life
- Low-current, fault-tolerant architecture
- Industry-leading wall-plug efficiency
- PowerCore™ mode-stable fiber
- Plug and play compatibility with nLIGHT's DL system
- Electrically isolated housing

Applications

- Acne Treatment
- BPH
- Dental
- Eye Surgery
- Hair Removal
- Leg Vein Treatment
- Surgical

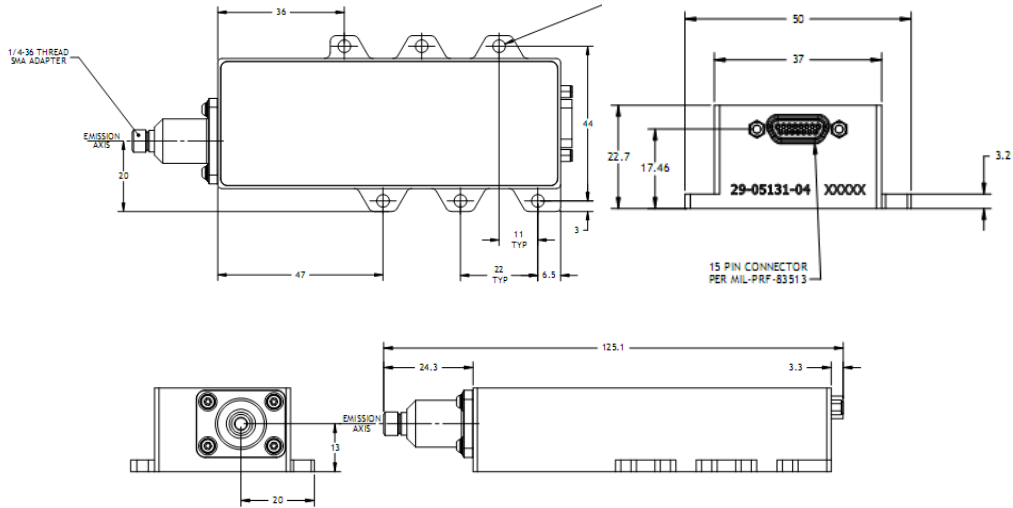
Typical Device Performance

Package		P16	
Optical			
Wavelength	nm	1470	1550
Wavelength tolerance	nm	± 20	
CW output power	W	50	
Fiber core diameter	µm	400	
Beam divergence	NA ¹	0.17	
Fiber length (standard)	m	2.0	
Electrical			
Power conversion efficiency (typical)	%	32	27
Operating current (typical)	A	9.2	10.3
Operating voltage (typical)	V	17.1	
Mechanical			
Storage temperature range ²	°C	-40 to +80	
Mass	gr	220	
Thermal			
Operating temperature ²	°C	+15 to +25	
Accessories			
Line Generator Optic Modules Collimator and Spot Generator Optic Modules Monitor Photo Diode PPS™ OEM Diode Controller Turn-Key System			

¹ Numerical aperture (NA) is the sine of the half-angle encircling 90% of the optical energy from the fiber.

² A non-condensing environment is required for storage and operation.

Package Dimensions



CFR Regulation

These components do not comply with the federal regulation (Title 21 CFR, Chapter 1, Subchapter J) as administered by the Center for Device and radiological Health. Purchaser acknowledges that their products must comply with these regulations before they can be sold to an end-use.



Notice

nLIGHT continually improves its products to provide our customers with outstanding quality and reliability. nLIGHT may make changes to specifications and product descriptions at any time, without notice. In addition, nLIGHT offers a limited warranty to ensure customer satisfaction. For complete details, please contact your nLIGHT sales representative.

Copyright © 2008 nLIGHT. All rights reserved.