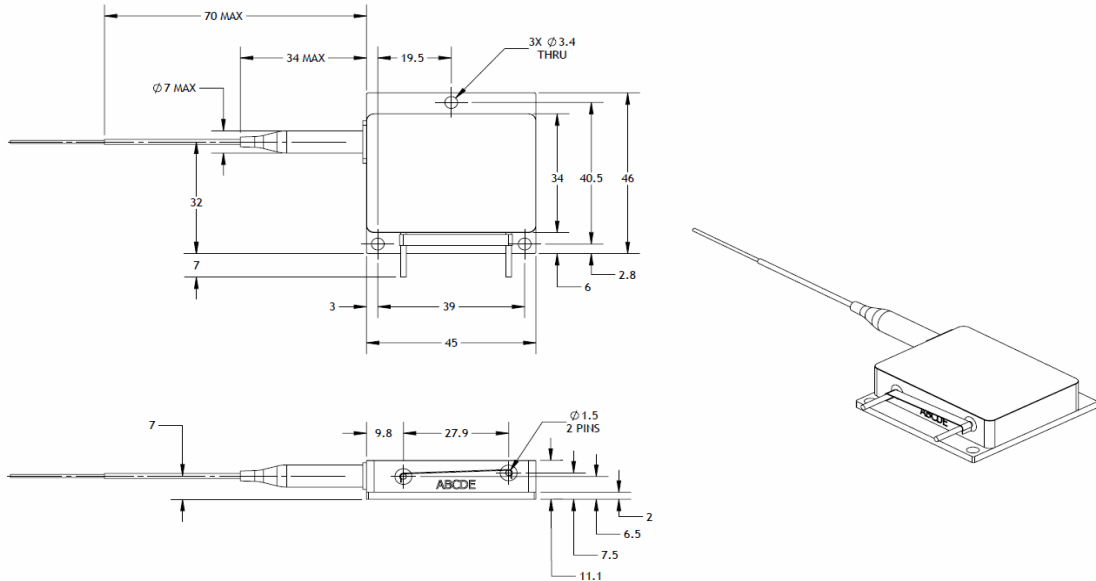


Item Number 1038929  
 Item Description e06-06-055-0976-3-105-0.22-SI-FPT-1.5-HT  
 Model e06.0550976105

EAR99<sup>5</sup>

	Units	Lower Spec	Typical	Upper Spec
<b>Optical</b>				
CW Output Power (with fresnel loss) <sup>6</sup>	W	50	55	
CW Output Power (without fresnel loss)	W	51.8	57	
Centroid Wavelength	nm	973.0	976.0	979.0
Spectral Width (FWHM)	nm		4.7	7.0
Power within 0.15 NA	%	90		
Fiber Core / Clad Diameter	µm		105 / 125	
Fiber NA / Index Type	-		0.22 NA / Step Index	
<b>Electrical</b>				
Electrical-to-Optical Efficiency	%	42	46	
Threshold Current	A		0.4	
Operating Current	A		12.0	12.0
Operating Voltage	V		10.2	10.6
<b>Mechanical</b>				
Mass	g		85	
Fiber Length	m	1.0	1.5	
Active Fiber Bend Radius	mm	25		
Fiber Jacketing	-		900 um Hytrel Loose Tube Buffer	
Fiber Termination	-		FPT	
<b>Thermal</b>				
Thermal Resistance	°C / W		0.6	
Waste Heat	W		67	
Operating (Housing) Temperature <sup>2,3</sup>	°C		+25	
Wavelength Temperature Coefficient	nm / °C		0.35	
Wavelength Current Coefficient	nm / A		1.2	

**Outline Drawing (Package Dimension 46 x 45 x 11.1 mm)**



**Notes**

- <sup>1</sup>Production specification shown are for beginning of life performance, end of life operating current (Iop) is 120% beginning of life Iop
- <sup>2</sup>A non-condensing environment is required for operation and storage. Storage conditions are from -20 to +70 °C with relative humidity between 5 to 85 %
- <sup>3</sup>Operating temperature defined by the package housing. Acceptable operating range is 20 - 35C, but performance may vary.
- <sup>4</sup>Current phase within the nLIGHT's NPI (New Production Introduction) Process
- <sup>5</sup>Export Control Classification Number (ECCN) as defined by the Export Administration Regulations (EAR)
- <sup>6</sup>Reported power is with an uncoated distal fiber end, therefore will be ~ 3.5 % higher if spliced

This nLIGHT product does NOT comply with IEC 60825-1 or 21CFR1040.10/21CFR1040.11 and is solely intended to be integrated into a laser product certified by the Purchaser. The Purchaser acknowledges that their product must comply with the applicable regulations before it can be sold to an end user.



**Notice**  
 nLIGHT continually improves its products to provide customers with outstanding quality and reliability, therefore may change certain specifications and product descriptions at any time, without notice. Additionally, nLIGHT offers a limited warranty to ensure customer satisfaction. For complete details, please contact an nLIGHT sales representative.



nLight Corporation  
 5408 NE 88th Street, Bldg E  
 Vancouver, Washington 98665  
 United States of America  
 Phone: 866.202.4488  
 360.566.4460  
 Fax: 360.546.1960  
 e-mail: sales@nlight.net  
 web: www.nlight.net