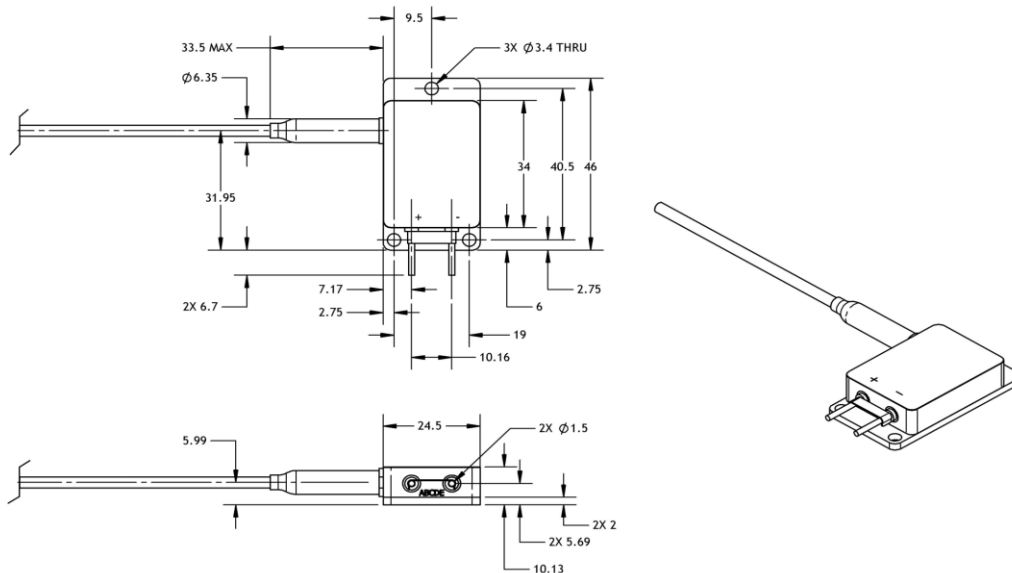


Item Number 1038927  
 Item Description e03-03-015-0808-3-200-0.22-SI-SMA-1.5-KL  
 Model e03.0150808200

Pilot<sup>4</sup>  
 EAR99<sup>5</sup>

	Units	Lower Spec	Typical	Upper Spec
<b>Optical</b>				
CW Output Power <sup>6</sup>	W		15	
Centroid Wavelength	nm	805	808	811
Spectral Width (FWHM)	nm		2.0	4.0
Slope Efficiency	W / A		3.0	
Power within 0.17 NA	%	90		
Fiber Core / Clad Diameter	µm		200 / 220	
Fiber NA / Index Type	-		0.22 NA / Step Index	
<b>Electrical</b>				
Electrical-to-Optical Efficiency	%	44	47	
Threshold Current	A		1.3	
Operating Current	A		6.1	6.8
Operating Voltage	V		5.1	5.5
<b>Mechanical</b>				
Mass	g		60	
Fiber Length	m	1.0	1.5	
Active Fiber Bend Radius	mm	50		
Fiber Jacketing	-		3 mm Kevlar Strand Furcation Tubing	
Fiber Termination	-		SMA	
<b>Thermal</b>				
Thermal Resistance	°C / W		1.1	
Waste Heat	W		16	
Operating (Housing) Temperature <sup>2,3</sup>	°C	+20	+25	+35
Wavelength Temperature Coefficient	nm / °C		0.28	
Wavelength Current Coefficient	nm / A		0.7	

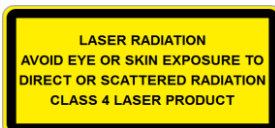
**Outline Drawing (Package Dimension 46 x 24.5 x 10.1 mm)**



**Notes**

- <sup>1</sup> Production specification shown are for beginning of life performance, end of life operating current (lop) is 120% beginning of life lop
- <sup>2</sup> A non-condensing environment is required for operation and storage. Storage conditions are from -20 to +70 °C with relative humidity between 5 to 85 %
- <sup>3</sup> Operating temperature defined by the package housing
- <sup>4</sup> Current phase within the nLIGHT's NPI (New Production Introduction) Process
- <sup>5</sup> Export Control Classification Number (ECCN) as defined by the Export Administration Regulations (EAR)
- <sup>6</sup> Reported power is with an uncoated distal fiber end, therefore will be ~ 3.5 % higher if spliced

**IEC Regulation**  
 This laser does NOT comply with IEC 60825-1 or 21 CFR 1040 for complete laser products and is solely intended to be integrated in a certified laser product.



**Notice**  
 nLIGHT continually improves its products to provide customers with outstanding quality and reliability, therefore may change certain specifications and product descriptions at any time, without notice. Additionally, nLIGHT offers a limited warranty to ensure customer satisfaction. For complete details, please contact an



nLight Corporation  
 5408 NE 88th Street, Bldg E  
 Vancouver, Washington 98665  
 United States of America  
 Phone: 866.202.4488  
 360.566.4460  
 Fax: 360.546.1960  
 e-mail: sales@nlight.net  
 web: www.nlight.net